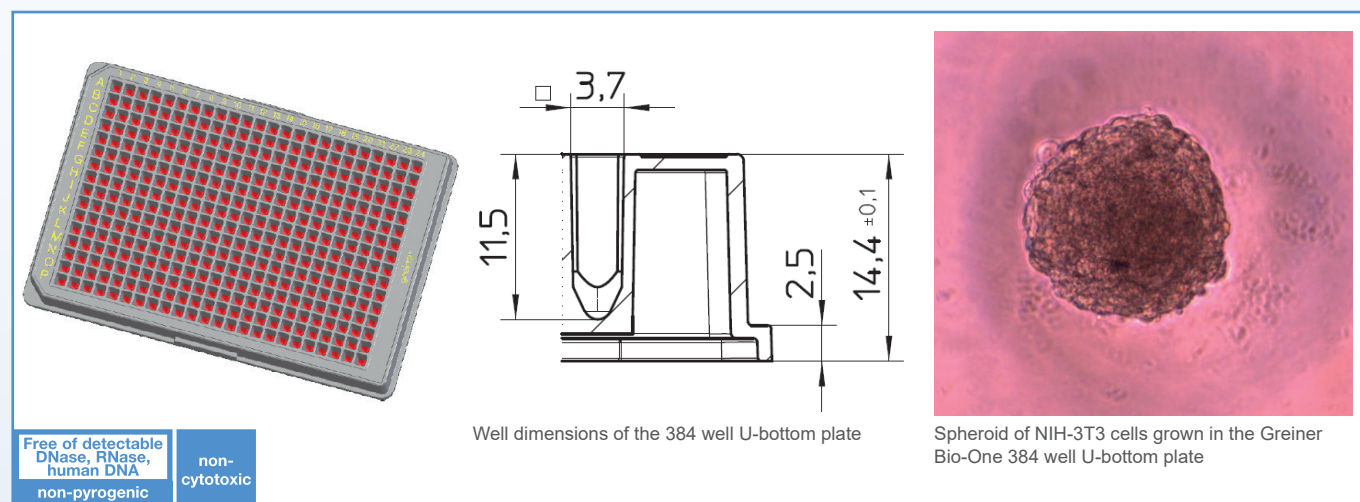


# 96 & 384 Well Cell-Repellent U-Bottom Microplates

## For high throughput 3D spheroid cell culture

Greiner Bio-One's approved 96 and new 384 well U-bottom microplates are the ideal platforms for 3D cell culture and stem cell aggregate formation. The innovative chemical polymer modification of the cell-repellent surface reliably prevents cell attachment of semi-adherent and adherent cells. In combination with the round bottom, 3D cell culture spheroids can be cultivated in highly reproducible fashion by the gravitational forced floating method. An ANSI standard microplate footprint enables suitability for automated high throughput culture and screening of 3D spheroids.

- Round bottom well geometry with a working volume of 40 - 280  $\mu$ L per well in 96 and 10 - 90  $\mu$ L per well in 384 for highly reproducible 3D spheroids
- Proven cell-repellent surface treatment to effectively prevent cell attachment
- 384 well features a consistent flat bottom for optimised microscopy
- Sterile, 4-year shelf life



Ordering Information			
Cat. No.	Product Description	Quantity per Bag	Quantity per Case
650970	96 Well Microplate, PS, U-bottom, cell-repellent surface, clear, sterile, with lid	1	6
650979	96 Well Microplate, PS, U-bottom, cell-repellent surface, clear, sterile, with lid	8	32
787979	384 Well Microplate, PS, U-bottom, cell-repellent surface, clear, sterile, with lid	8	32

For further information and/or sample ordering please visit our website [www.gbo.com](http://www.gbo.com) or contact us.

Germany (Main office): [info@de.gbo.com](mailto:info@de.gbo.com) | Austria: [office@at.gbo.com](mailto:office@at.gbo.com) | Belgium: [info@be.gbo.com](mailto:info@be.gbo.com) | Brazil: [office@br.gbo.com](mailto:office@br.gbo.com) | China: [office@cn.gbo.com](mailto:office@cn.gbo.com)  
 France: [accueil@gbo.com](mailto:accueil@gbo.com) | Hungary: [office@hu.gbo.com](mailto:office@hu.gbo.com) | Italy: [office@it.gbo.com](mailto:office@it.gbo.com) | Japan: [info@jp.gbo.com](mailto:info@jp.gbo.com) | Netherlands: [info@nl.gbo.com](mailto:info@nl.gbo.com)  
 Portugal: [info@vacuette.pt](mailto:info@vacuette.pt) | Spain: [info@es.gbo.com](mailto:info@es.gbo.com) | UK: [info@uk.gbo.com](mailto:info@uk.gbo.com) | USA: [info@us.gbo.com](mailto:info@us.gbo.com)